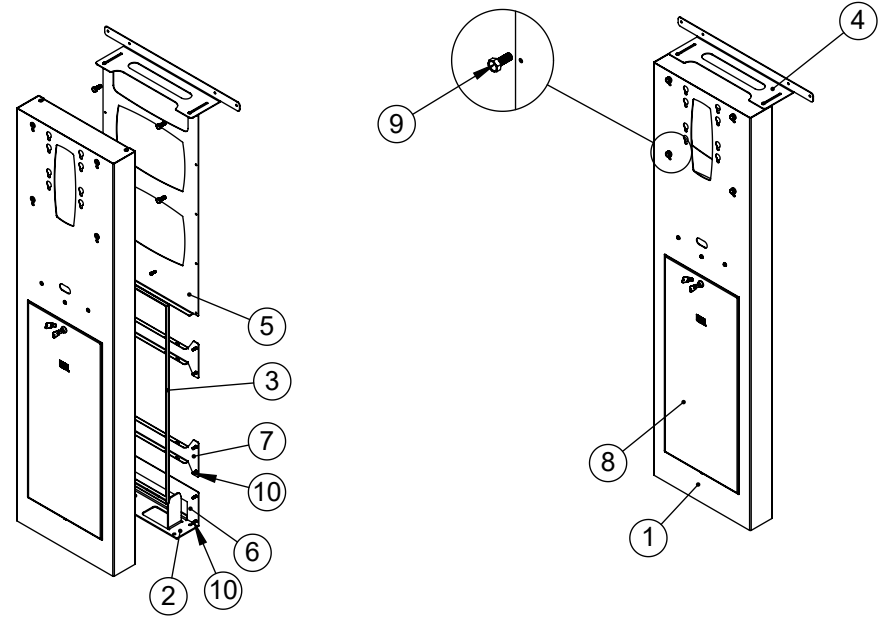
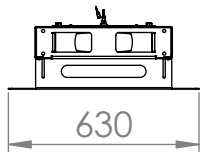


Useable Space - 795X336X84



BOM Table			
NO	Part Number	Description	QTY.
1	ASS--20054667	Rhabus Mast Floor To Wall Reflex	1
2	Ass--20025790	RFWS Floor Fixing Plate	1
3	Par--20039107	Small Door Frame	1
4	PAR--20041541	Rfws Wall Fixing Plate Surrey Uni	1
5	PAR--20041545	Rhabus Back Panel Surrey Uni	1
6	PAR--20041757	Surrye Plt 01	1
7	PAR--20041763	Surrey Cross Bar	2
8	ASS--20054666	Reflex Rhabus Floor To Wall Door	1
9	HMS-MET-10X25-HT-YZN	Hex Machine Screw M10 X 25 (High Tensile Bright Zinc Plated Yellow Passivated)	4
10	BH-MET-6X20-HT-BO	Button Head Screw M6 X 20 (High Tensile Black Oxide)	17

Description Rhabus Floor To Wall Reflex PZX9 Front Door

UNLESS OTHERWISE SPECIFIED:
DIMENSIONS ARE IN MILLIMETERS

SURFACE FINISH: Powder Coated

Created By Ricky Clark

Unicol Engineering
Green Road
Oxford OX3 8EU

Saved Date: 31 August 2021
Created Date: 30 May 2024
Bend Tool:

Material:

Gauge:

DRW - REV

REV -
A-003

See Below - Special Notes

Part Number & Part Revision

ASS--20056318 REV - A-003

WEIGHT: 29.59

Kg

SCALE:1:25

DO NOT SCALE DRAWING

SHEET 1 OF 1