

1 2 3 4 5 6

A

A

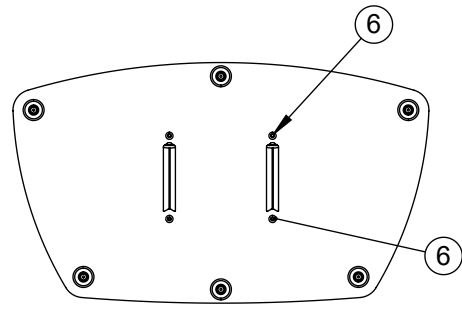
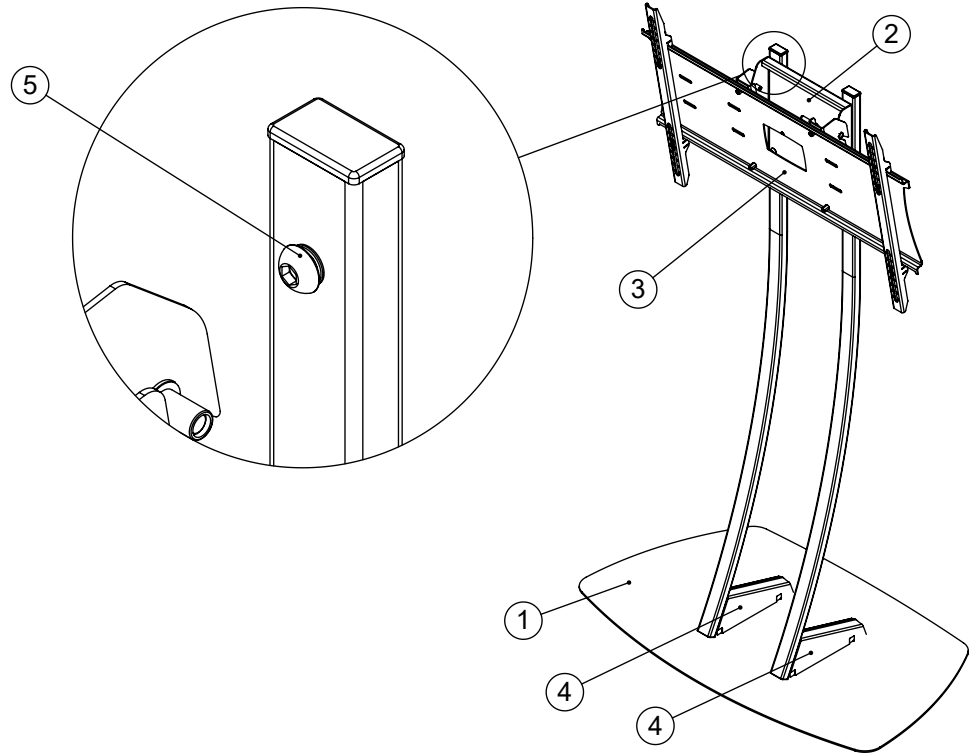
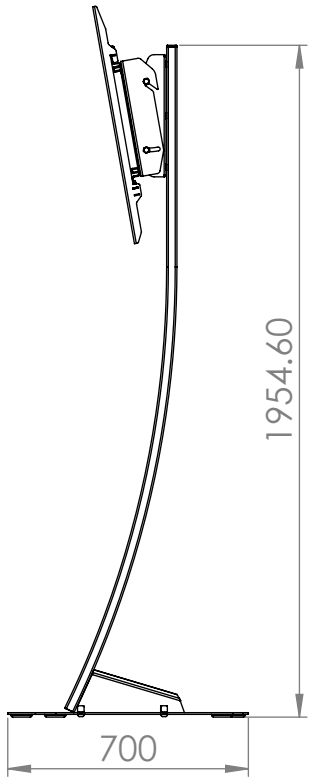
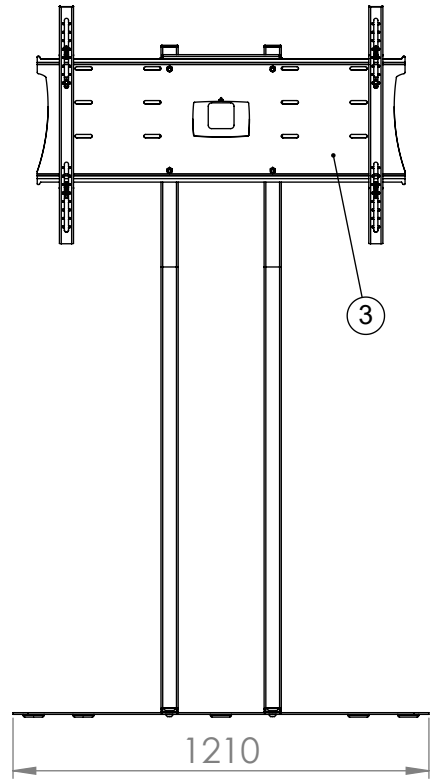
B

B

C

C

D



BOM Table			
NO	Part Number	Description	QTY.
1	Ass--20020833	Parabella Base Plate Only For Screens Up To 90Inch	1
2	Ass--20031471	Tilting Converter Parabella	1
3	Ass--20025128	PZX9 Universal Flat Mount 900 X 600	1
4	Ass--20008041	Parabella Leg	2
5	BH-MET-12X20-HT-CZN	Button Head Screw M12 X 20 ( High Tensile Bright Zinc Plated Clear Passivated )	4
6	BH-MET-12X25-HT-BO	Button Head Screw M12 X 25 ( High Tensile Black Oxide )	4

Description		Parabella PA9	
UNLESS OTHERWISE SPECIFIED: DIMENSIONS ARE IN MILLIMETERS	Saved Date: 16 June 2022	DRW - REV <b>REV - A-003</b>	See Below - Special Notes
	Created Date: 16 June 2022		
SURFACE FINISH: Powder Coated	Bend Tool:	Material:	Part Number & Part Revision
	Created By Dennis Neale		
Unicol Engineering Green Road Oxford OX3 8EU		<b>ASS--20053732 REV - A-003</b>	

1 2 3 4 5 6

WEIGHT: 61.71 Kg SCALE:1:22 DO NOT SCALE DRAWING SHEET 1 OF 1