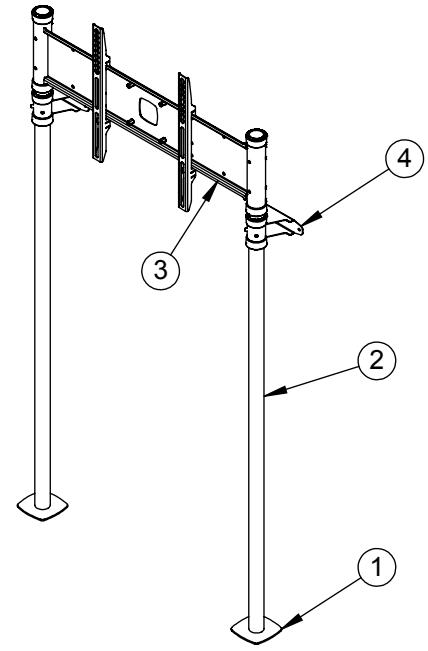
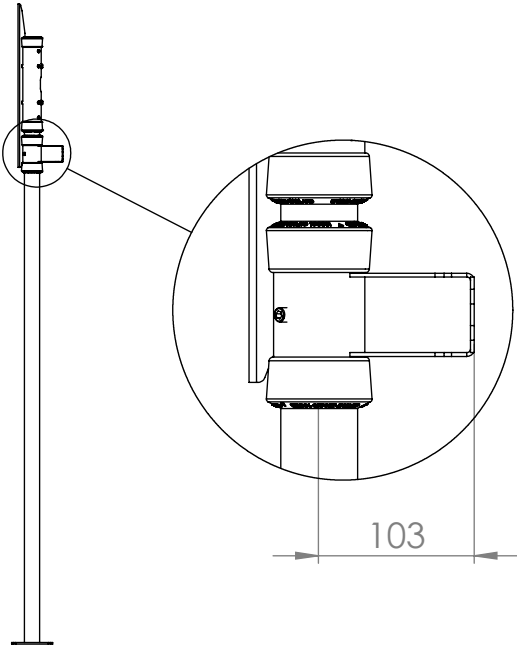
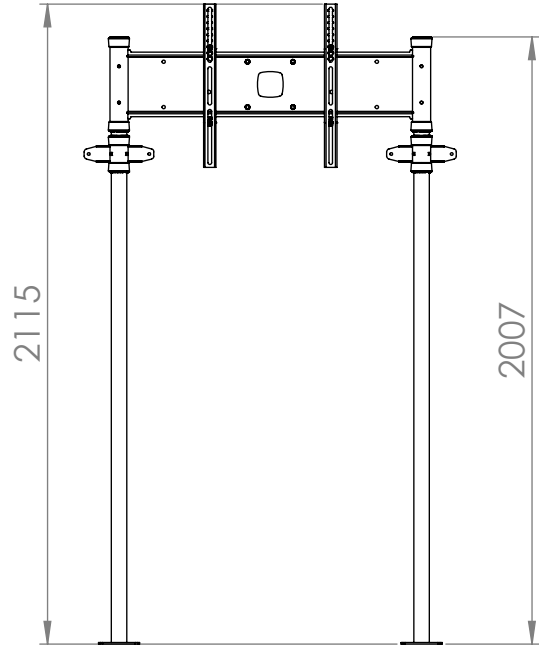


1 2 3 4 5 6

A

A

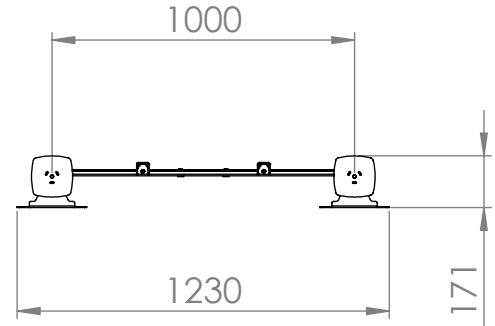


B

B

C

C



BOM Table			
NO	Part Number	Description	QTY.
1	Ass--20001462	FP1 Floor Plate 135 x 135	2
2	2000	2000 Column (Standard)	2
3	ASS--20028623	FCS1 Gantry 1000Mm Centres - PZX1A	1
4	Ass--20020057	Wall Fixing Plate 100 X Single	2

Description		Floor to wall goal post style FWGS1	
UNLESS OTHERWISE SPECIFIED: DIMENSIONS ARE IN MILLIMETERS	Created By Dennis Neale	Saved Date: 13 April 2023 Created Date: 13 April 2023 Bend Tool:	DRW - REV REV - A-001
	Unicol Engineering Green Road Oxford OX3 8EU	Material:	
SURFACE FINISH: Powder Coated		Gauge:	See Below - Special Notes
		Part Number & Part Revision ASS--20053594 REV - A-001	

D

1 2 3 4 5 6

WEIGHT: 21.48 Kg SCALE:1:25 DO NOT SCALE DRAWING SHEET 1 OF 1