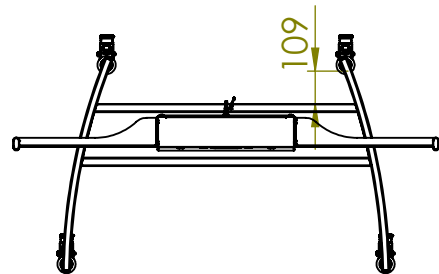


SECTION A-A



BOM Table			
NO	Part Number	Description	QTY.
1	Ass--20022500	NSTB1 - Nest Star Base	1
2	Ass--20022598	Handle For Workstation On Wheels	2
3	Ass--20025804	RHMU3 - Rhobus Mast Only Hub - Handles	1

Description		NST1 Nest Star Trolley - Excluding Dedicaded Mount	
UNLESS OTHERWISE SPECIFIED: DIMENSIONS ARE IN MILLIMETERS	Created Date: 26 September 2022	DRW - REV <b>REV - A-004</b>	See Below - Special Notes
	Created Date: 01 September 2021		
SURFACE FINISH: Powder Coated	Bend Tool:	Material:	Part Number & Part Revision <b>ASS--20027619 REV - A-004</b>
Created By System Administrator Unicol Engineering Green Road Oxford OX3 8EU	Gauge:		

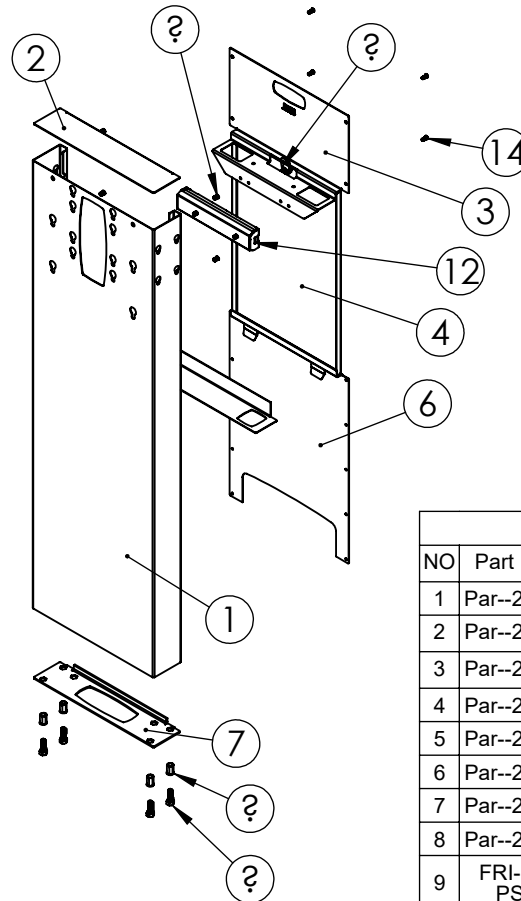
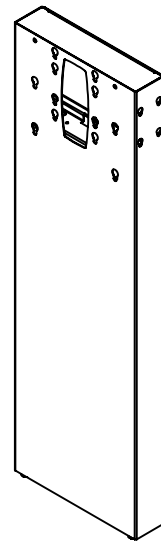
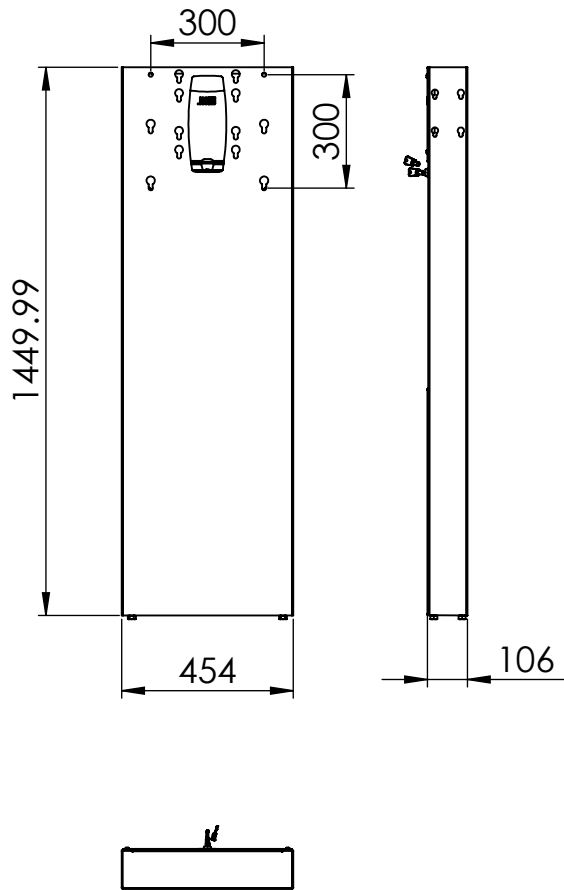
WEIGHT: 50.80

Kg

SCALE:1:25

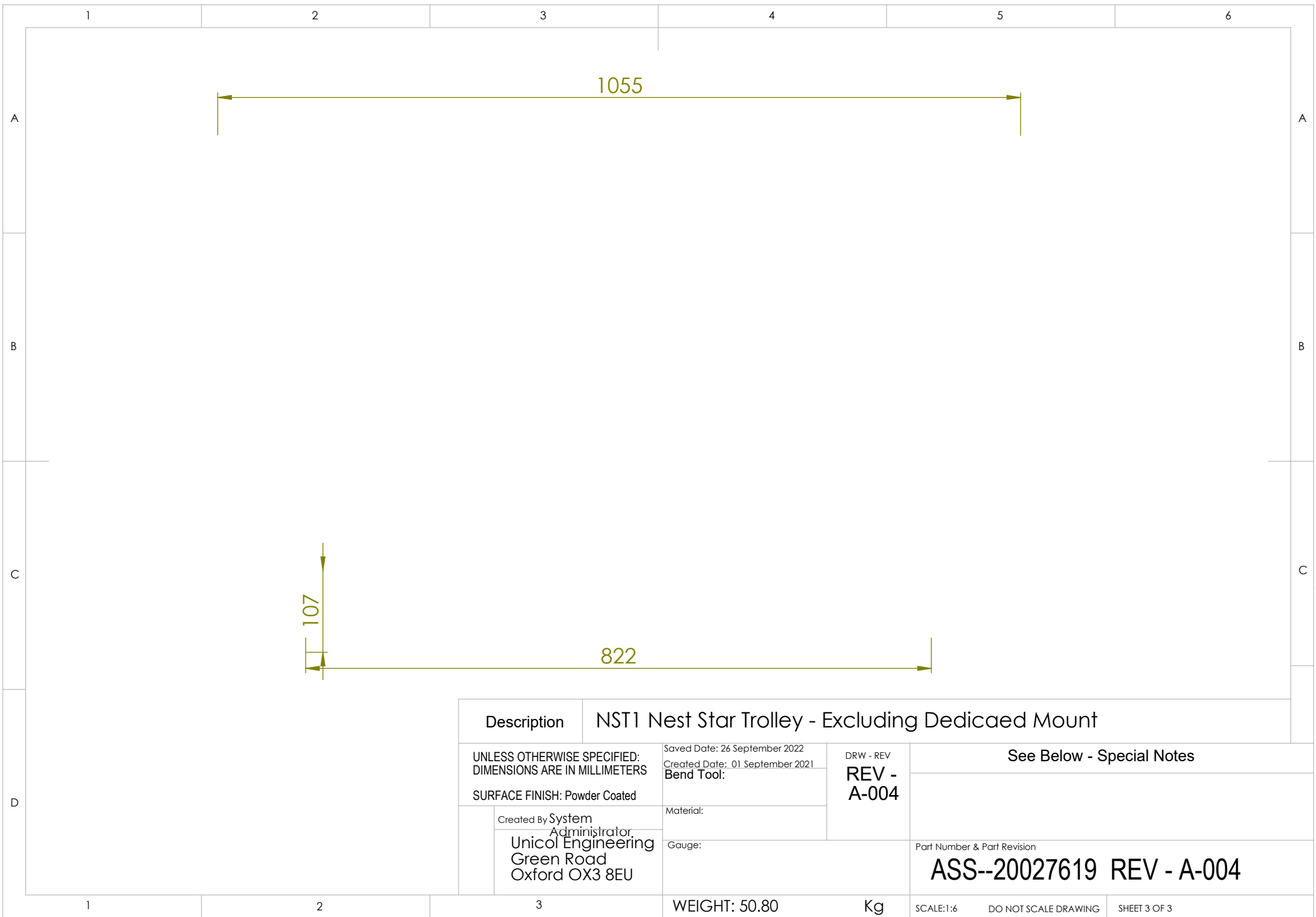
DO NOT SCALE DRAWING

SHEET 1 OF 3



BOM Table			
NO	Part Number	Description	QTY.
1	Par--20038961	Rhobus Mast 300X300 150X150 Handle	1
2	Par--20028021	Rhobus Cap Plt	1
3	Par--20027402	Rhobus Back Top Pan	1
4	Par--20027326	Mast Door Panel	1
5	Par--20027324	Box Shelf Robus	1
6	Par--20027283	Rhobus Back Panel Lower	1
7	Par--20027126	Rhobus Base Plate	1
8	Par--20007383	standard lock cam	1
9	FRI-MET-6-PS-CZN	M6 Hex Rivnut	4
10	FRI-MET-12-PS-CZN	M12 Hex Rivnut	4
11	Ass--20016721	Barrel Lock and 2 Keys	1
12	Ass--20000809	ELECTRICAL SOCKET 4 WAY UK 150 fixings	1
13	-	M12 x 35mm Hex Head Machine Screw	4
14	-	M6 x 16mm Socket Button Head Machine Screw	4

Description		RHMU3 - Rhobus Mast Only Hub - Handles	
UNLESS OTHERWISE SPECIFIED: DIMENSIONS ARE IN MILLIMETERS	Saved Date: 26 August 2021	DRW - REV <b>REV - A-004</b>	See Below - Special Notes
	Created Date: 01 September 2021		
SURFACE FINISH: Powder Coated	Bend Tool:	Material:	Part Number & Part Revision
	Created By System Administrator		
Unicol Engineering Green Road Oxford OX3 8EU			<b>Ass--20025804 REV - A-004</b>



Description		NST1 Nest Star Trolley - Excluding Dedicaded Mount		
UNLESS OTHERWISE SPECIFIED: DIMENSIONS ARE IN MILLIMETERS	Saved Date: 26 September 2022 Created Date: 01 September 2021 Bend Tool:		DRW - REV <b>REV - A-004</b>	See Below - Special Notes
	SURFACE FINISH: Powder Coated			
Created By System Administrator Unicol Engineering Green Road Oxford OX3 8EU	Material:		Part Number & Part Revision <b>ASS--20027619 REV - A-004</b>	
	Gauge:			
WEIGHT: 50.80		Kg		SCALE:1:6 DO NOT SCALE DRAWING SHEET 3 OF 3