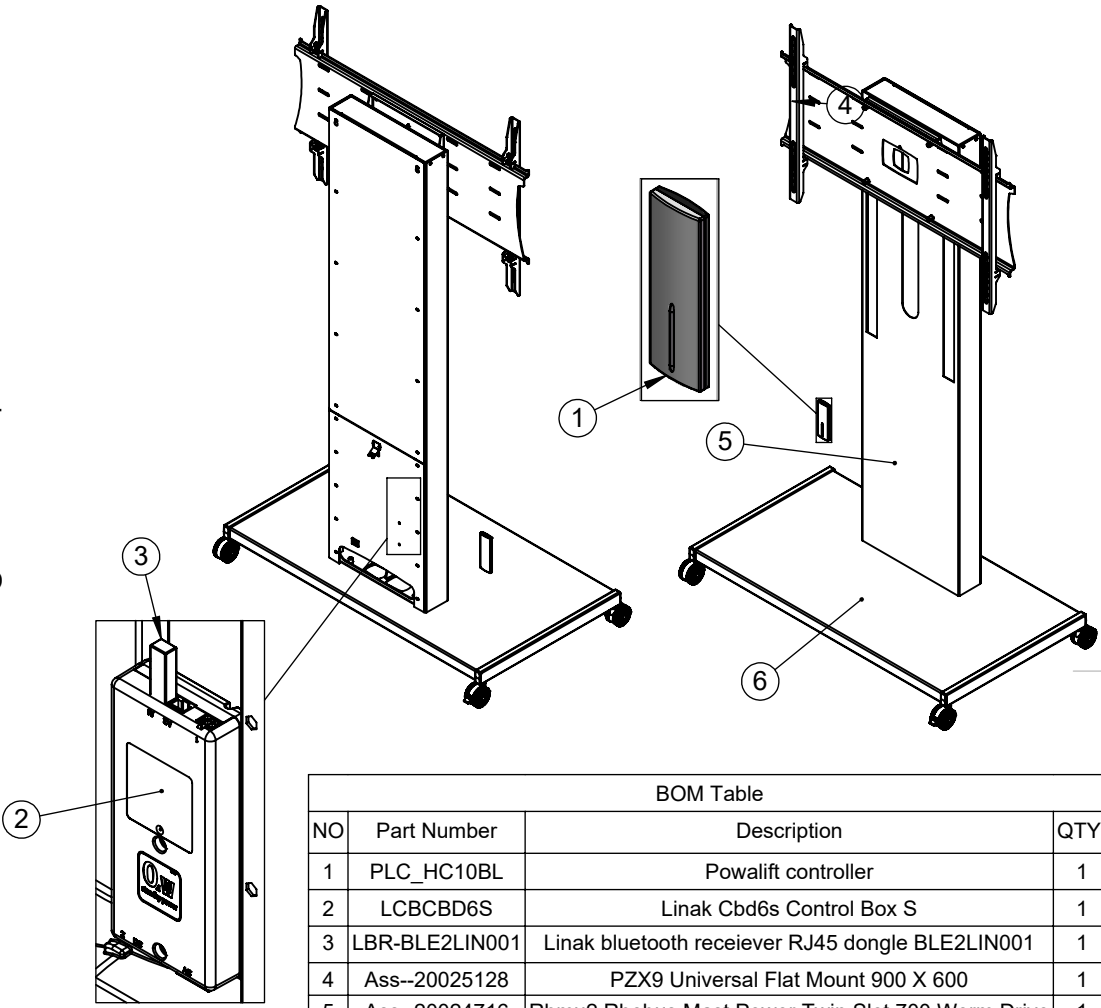


1084  
Lowest mid point ±5

1784  
Highest mid point ±5



BOM Table			
NO	Part Number	Description	QTY.
1	PLC_HC10BL	Powalift controller	1
2	LCBCBD6S	Linak Cbd6s Control Box S	1
3	LBR-BLE2LIN001	Linak bluetooth receiver RJ45 dongle BLE2LIN001	1
4	Ass--20025128	PZX9 Universal Flat Mount 900 X 600	1
5	Ass--20024716	Rhmu2 Rhobus Mast Power Twin Slot 700 Worm Drive	1
6	Ass--20019112	Rhb2 Rhobus Base 1200 Wide 650 Deep	1

Description		Trolley Rhobus Powerlift 700 1500 N Pzx9	
UNLESS OTHERWISE SPECIFIED: DIMENSIONS ARE IN MILLIMETERS	Created By System Administrator	Material:	DRW - REV <b>REV - A-014</b>
	Unicol Engineering Green Road Oxford OX3 8EU	Gauge:	
SURFACE FINISH: Powder Coated		See Below - Special Notes	
Part Number & Part Revision		<b>ASS--20027100 REV - A-014</b>	