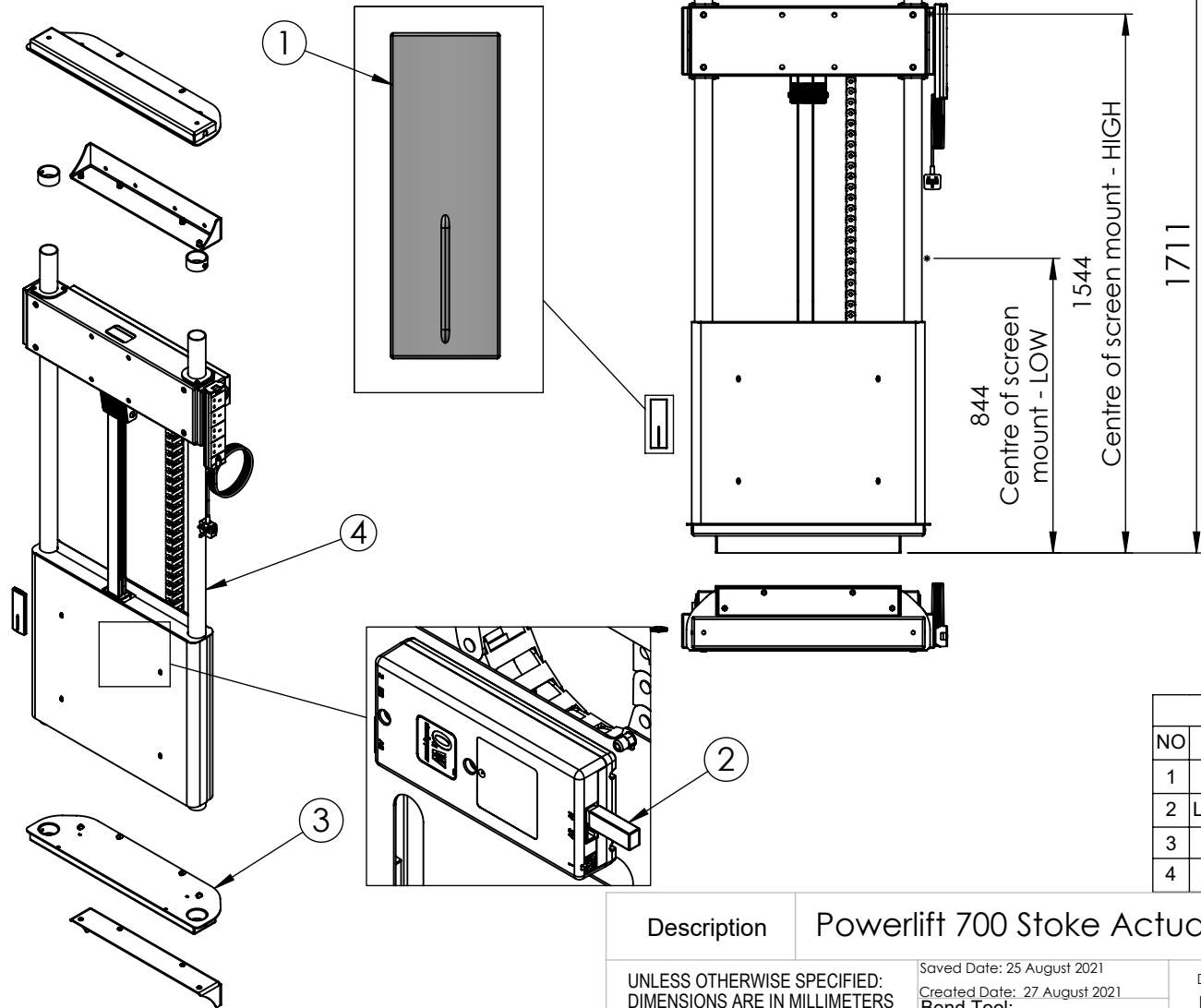


Screwed to wall
top and bottom

Screwed to floor at
bottom and wall at top



BOM Table			
NO	Part Number	Description	QTY.
1	PLC_HC10BL	Powalift controller	1
2	LBR-BLE2LIN001	Linak bluetooth receiver RJ45 dongle BLE2LIN001	1
3	Ass--20019197	Powalift 700 Wall Mount Bracket	2
4	ASS--20031105	Powerlift 700 Stoke Actuator Assembly - UK Electrics	1

Description Powerlift 700 Stoke Actuator Wall Mounted UK Spec

UNLESS OTHERWISE SPECIFIED:
DIMENSIONS ARE IN MILLIMETERS

SURFACE FINISH: Powder Coated

Created By System
Administrator,
Unicol Engineering
Green Road
Oxford OX3 8EU

Saved Date: 25 August 2021
Created Date: 27 August 2021
Bend Tool:

Material:

Gauge:

DRW - REV
**REV -
A-006**

See Below - Special Notes

Part Number & Part Revision

Ass--20019143 REV - A-006

WEIGHT: 78.36

Kg

SCALE:1:20

DO NOT SCALE DRAWING

SHEET 1 OF 1