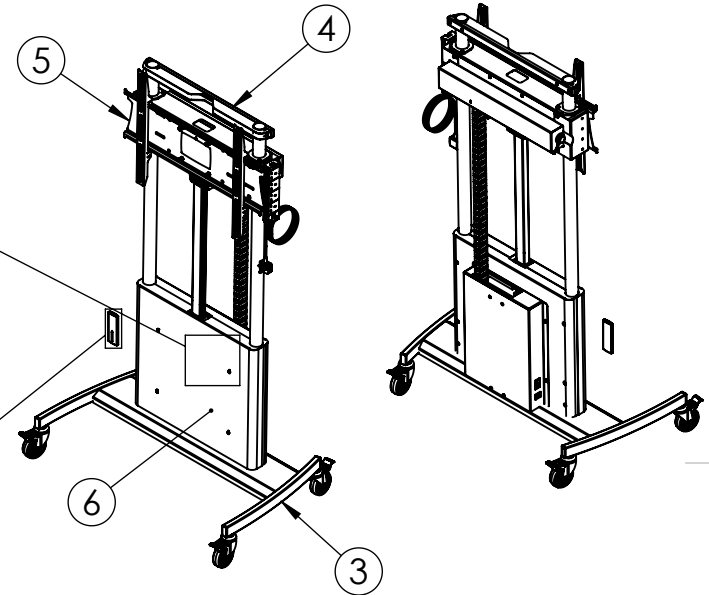


Fixings points for APC battery mount



BOM Table			
ITEM NO.	PART NUMBER	DESCRIPTION	QTY.
1	PLC_HC10BL	Powalift controller HB1 1BL3000	1
2	LBR-BL2LIN001	Linak bluetooth receiver RJ45 dongle BL2LIN001	1
3	Ass--20018823	Heavy Duty Trolley Base 600	1
4	Ass--20014927	Powalift Top Plate 600 Centres	1
5	Ass--20001677	PZX1 Pozimount type 1 Non-Tilting	1
6	ASS--20031105	Powerlift 700 Stoke Actuator Assembly - UK Electrics	1

Description Avmt7 - Powalift 700 Pzx1 - UK Spec

UNLESS OTHERWISE SPECIFIED:  
DIMENSIONS ARE IN MILLIMETERS

SURFACE FINISH: Powder Coated

Created By Andrew Griffiths

Unicol Engineering  
Green Road  
Oxford OX3 8EU

Saved Date: 29 June 2023

Created Date: 29 June 2023

Bend Tool:

Material:

Gauge:

DRW - REV

REV -  
A-014

See Below - Special Notes

Part Number & Part Revision

Ass--20019056 REV - A-014

WEIGHT: 89.69

Kg

SCALE:1:30

DO NOT SCALE DRAWING

SHEET 1 OF 1