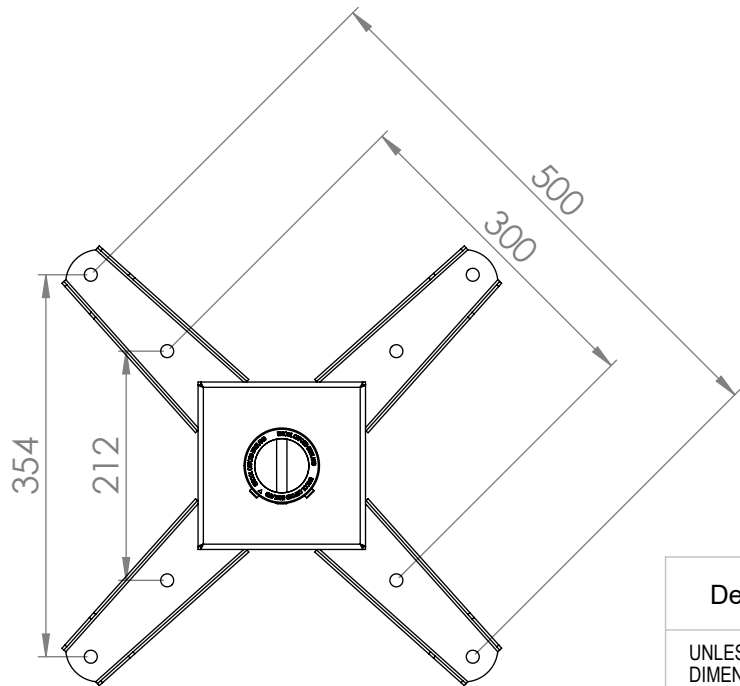
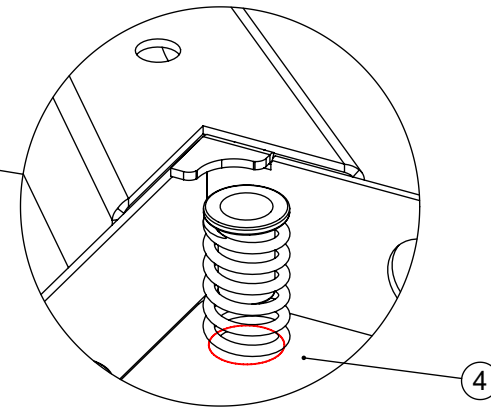
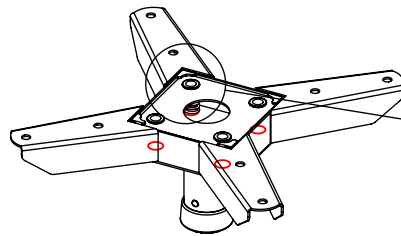
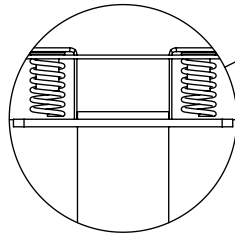


all welds must lip over top and bottom



BOM Table			
NO	Part Number	Description	QTY.
1	PAR--20042674	Ceiling Plate Cover Gantry	1
2	Par--20042807	Ceiling Plate Gantry Arm	4
3	Ass--20028242	CP5 Spring Loading Plate	1
4	ASS--20055076	cp5 inner sq plate	1

Description		CP5 - LARGE CEILING FIXING PLATE FOR MULTI OR LARGE FORMAT SCREENS	
UNLESS OTHERWISE SPECIFIED: DIMENSIONS ARE IN MILLIMETERS	Saved Date: 25 August 2021	DRW - REV REV - A-012	See Below - Special Notes
	Created Date: 27 August 2021		
SURFACE FINISH: Powder Coated	Bend Tool:		
Created By System Administrator Unicol Engineering Green Road Oxford OX3 8EU	Material:	Part Number & Part Revision Ass--20018833 REV - A-012	
	Gauge:		
	WEIGHT: 4.79	Kg	SCALE:1:7 DO NOT SCALE DRAWING SHEET 1 OF 1