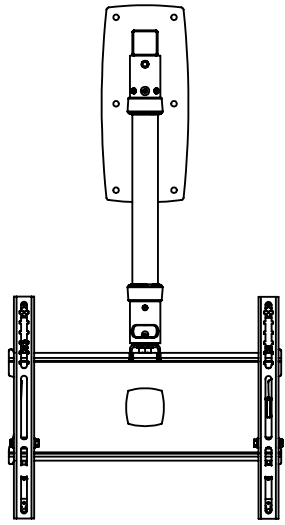
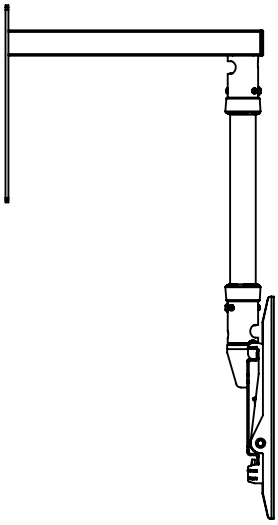
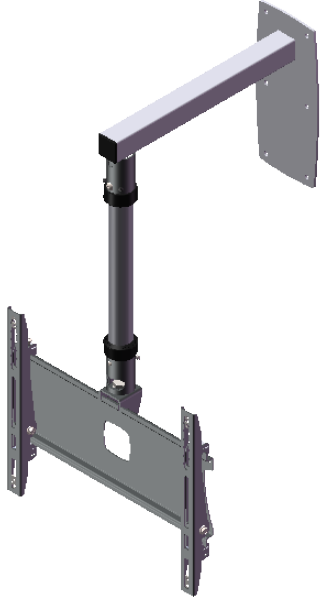
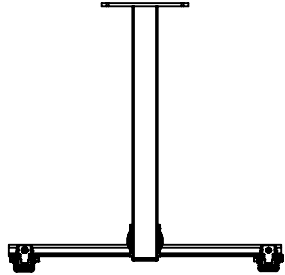



1	2	3	4	5	6													
Fixings Supplied		Universal Fixing Kit																
A						A												
B						B												
C						C												
D	<table border="1"> <tr> <td data-bbox="790 1193 994 1267">Description</td> <td colspan="2" data-bbox="994 1193 1644 1267">Kp305wb - Kp3 - 50Cm Column - Wb2</td> </tr> <tr> <td data-bbox="790 1267 1106 1331">UNLESS OTHERWISE SPECIFIED: DIMENSIONS ARE IN MILLIMETERS</td> <td data-bbox="1106 1267 1397 1331">Saved Date: 07 February 2022 Created Date: 26 August 2021 Bend Tool:</td> <td data-bbox="1397 1267 1532 1426">DRW - REV REV - A-002</td> </tr> <tr> <td data-bbox="790 1331 1106 1369">SURFACE FINISH: Powder Coated</td> <td data-bbox="1106 1331 1397 1369">Material:</td> <td data-bbox="1532 1267 2201 1321" rowspan="2">See Below - Special Notes</td> </tr> <tr> <td data-bbox="790 1369 1106 1513">Created By System Administrator Unicol Engineering Green Road Oxford OX3 8EU</td> <td data-bbox="1106 1369 1397 1513">Gauge:</td> <td data-bbox="1532 1321 2201 1513">Part Number & Part Revision Ass--20017647 REV - A-002</td> </tr> </table>		Description	Kp305wb - Kp3 - 50Cm Column - Wb2		UNLESS OTHERWISE SPECIFIED: DIMENSIONS ARE IN MILLIMETERS	Saved Date: 07 February 2022 Created Date: 26 August 2021 Bend Tool:	DRW - REV REV - A-002	SURFACE FINISH: Powder Coated	Material:	See Below - Special Notes	Created By System Administrator Unicol Engineering Green Road Oxford OX3 8EU	Gauge:	Part Number & Part Revision Ass--20017647 REV - A-002	WEIGHT: 12.42	Kg	SCALE:1:15	DO NOT SCALE DRAWING
Description	Kp305wb - Kp3 - 50Cm Column - Wb2																	
UNLESS OTHERWISE SPECIFIED: DIMENSIONS ARE IN MILLIMETERS	Saved Date: 07 February 2022 Created Date: 26 August 2021 Bend Tool:	DRW - REV REV - A-002																
SURFACE FINISH: Powder Coated	Material:	See Below - Special Notes																
Created By System Administrator Unicol Engineering Green Road Oxford OX3 8EU	Gauge:		Part Number & Part Revision Ass--20017647 REV - A-002															
1	2	3	4	5	6													