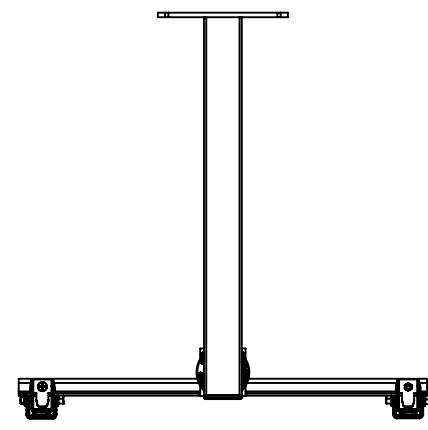
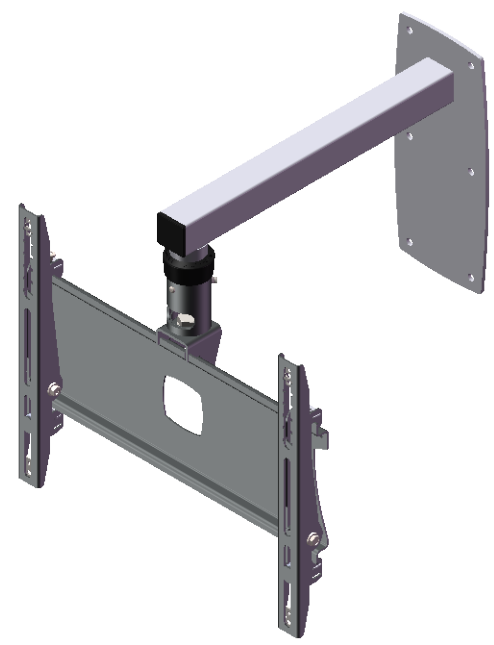
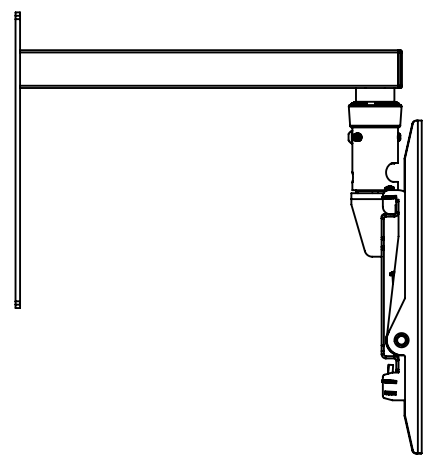
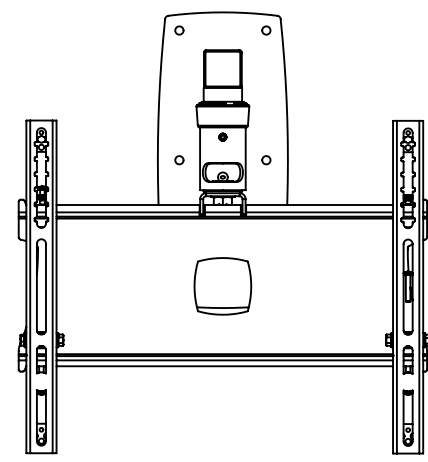


1 2 3 4 5 6

Fixings Supplied

Universal Fixing Kit



Description		Kpwb3 - Direct Coupled Kp3 With Wb1		
UNLESS OTHERWISE SPECIFIED: DIMENSIONS ARE IN MILLIMETERS		Saved Date: 25 August 2021 Created Date: 26 August 2021 Bend Tool:	DRW - REV <b>REV - A-002</b>	See Below - Special Notes
SURFACE FINISH: Powder Coated		Material:		
Created By System Administrator Unicol Engineering Green Road Oxford OX3 8EU		Gauge:	Supply With Universal Fixing Kit	
			Part Number & Part Revision <b>Ass--20017641 REV - A-002</b>	
		WEIGHT: 11.05	Kg	SCALE:1:10 DO NOT SCALE DRAWING SHEET 1 OF 1

1 2 3 4 5 6

A  
B  
C  
D

A  
B  
C  
D