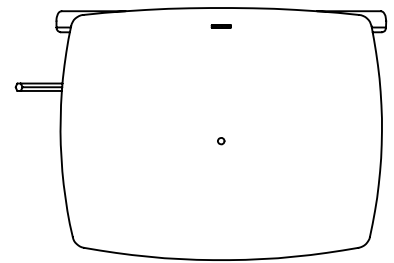
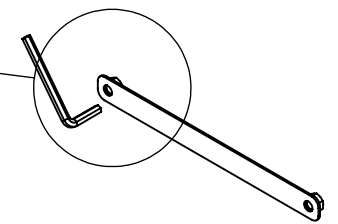
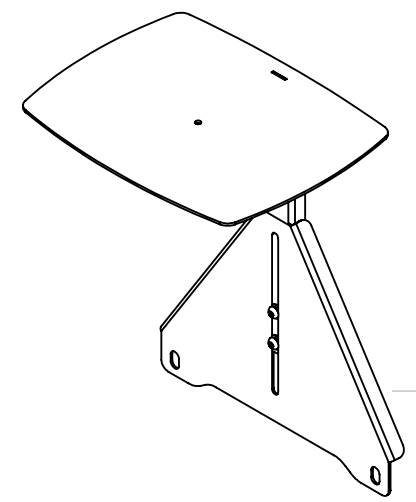
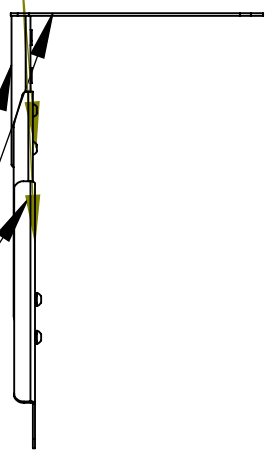
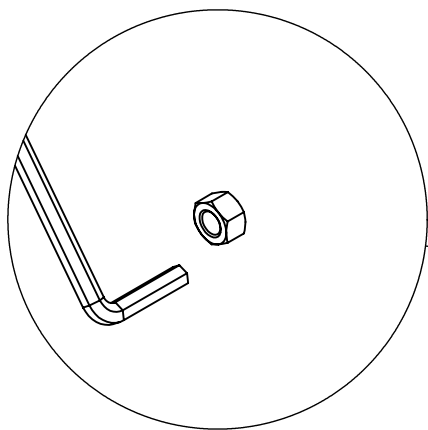
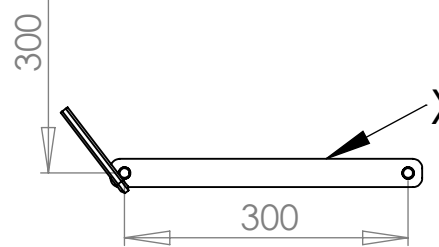
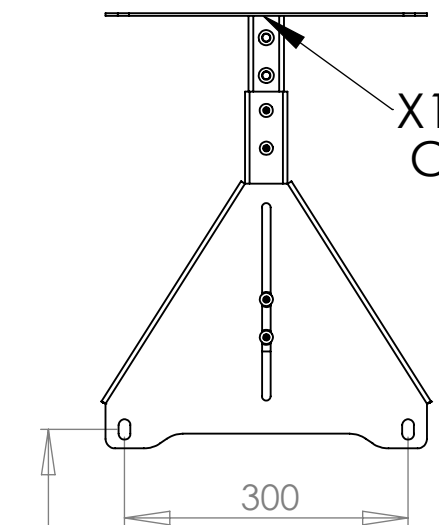


X4 M8 X 20 Button Head  
Plus Allen key - 2 off M12 plus binx nuts

X1 3/8 X 1/4 UNC  
Camera Screw

Standard VCM Tray And  
Extending Channels

X1 Spacer Strip



Description		Axia Titan Vcm 300 Centres 36Cm X 26Cm		
UNLESS OTHERWISE SPECIFIED: DIMENSIONS ARE IN MILLIMETERS	Created Date: 09 December 2021	DRW - REV <b>REV - A-011</b>	See Below - Special Notes	
	Created Date: 26 August 2021			
SURFACE FINISH: Powder Coated	Bend Tool:	Material:		
Created By System Administrator	Gauge:		Part Number & Part Revision	
Unicol Engineering Green Road Oxford OX3 8EU			<b>Ass--20016553 REV - A-011</b>	
WEIGHT: 4.31		Kg	SCALE:1:10	DO NOT SCALE DRAWING SHEET 1 OF 1