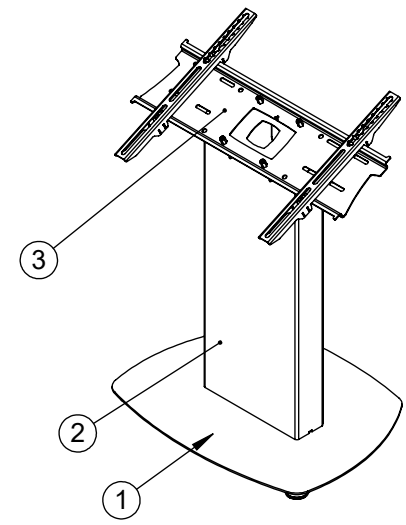


INTERNAL MAST MEASUREMENT



BOM Table			
NO	Part Number	Description	QTY.
1	Ass--20015624	PA3 Parabella Lecturn Plinth Base	1
2	Ass--20015623	PA3 Parrabella Lecturn Mast Unit	1
3	Ass--20001677	PZX1 Pozimount type 1 Non-Tilting	1
4	BH-MET-10X25-HT-BO	Button Head Screw M10 X 25 (High Tensile Black Oxide)	4

Description		TL1PZX1 - TABLEAU LECTURN STAND WTH PZX1	
UNLESS OTHERWISE SPECIFIED: DIMENSIONS ARE IN MILLIMETERS	Created By	Material:	See Below - Special Notes
	Created By Ricky Clark	Gauge:	
SURFACE FINISH: Powder Coated	Unicol Engineering Green Road Oxford OX3 8EU	DRW - REV REV - A-017	Part Number & Part Revision Ass--20015625 REV - A-017
WEIGHT: 41.71		Kg	SCALE:1:20 DO NOT SCALE DRAWING SHEET 1 OF 1

1 2 3 4 5 6

A

A

B

B

C

C

D

1 2 3 4 5 6