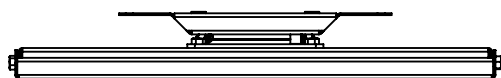
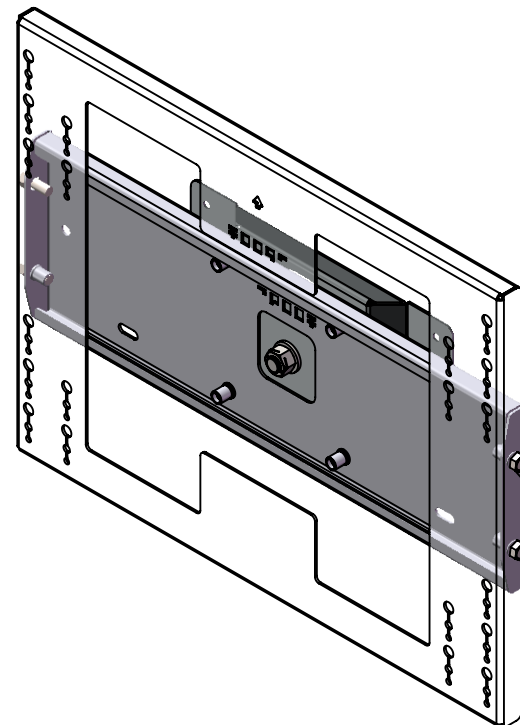


No Rivnuts  
In PLX

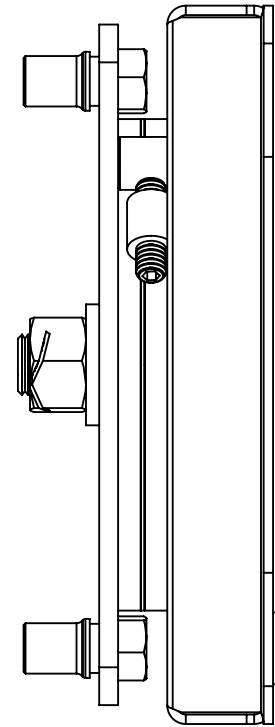
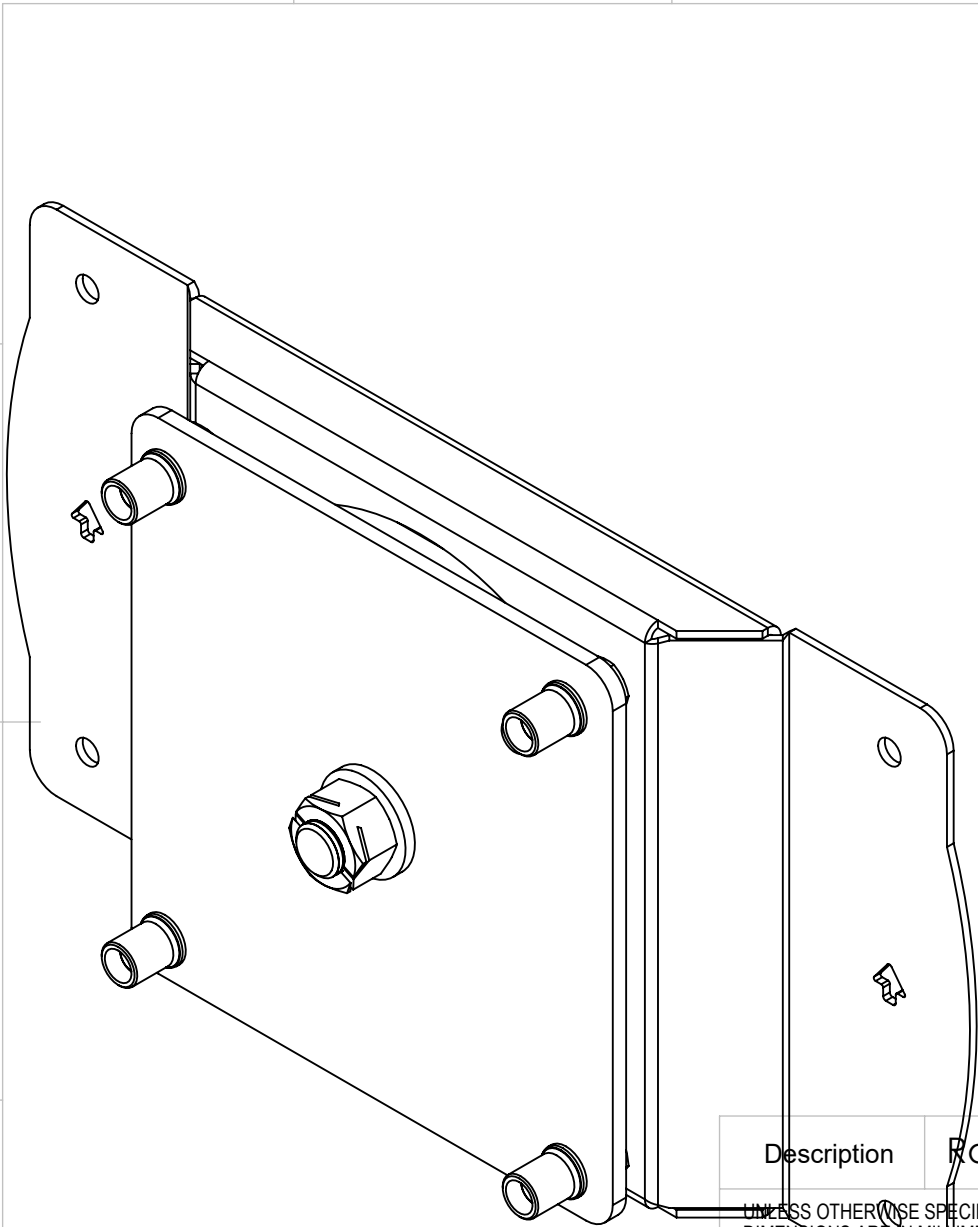


Use Rotamount Fixings  
See Ass Drawing  
Ass-- 20010497



Fixings: Pozimount  
Fixing Pack x 1  
M10 x 25 x 4 Bolts  
To Fix PLX To Rotamount

Description		Rotamount Trolley Mount Rtm9004	
UNLESS OTHERWISE SPECIFIED: DIMENSIONS ARE IN MILLIMETERS		Saved Date: 24 August 2021 Created Date: 25 August 2021 Bend Tool:	DRW - REV <b>REV - A-013</b>
SURFACE FINISH: Powder Coated		Material:	See Below - Special Notes
Created By System Administrator Unicol Engineering Green Road Oxford OX3 8EU		Gauge:	
		Part Number & Part Revision <b>Ass--20010680 REV - A-013</b>	
		WEIGHT: 11.69	Kg
		SCALE:1:10	DO NOT SCALE DRAWING SHEET 1 OF 2



Description	Rotamount Trolley Mount Rtm9004		
UNLESS OTHERWISE SPECIFIED: DIMENSIONS ARE IN MILLIMETERS	Saved Date: 24 August 2021 Created Date: 25 August 2021 Bend Tool:	DRW - REV <b>REV - A-013</b>	See Below - Special Notes
SURFACE FINISH: Powder Coated	Material:		
Created By System Administrator Unicol Engineering Green Road Oxford OX3 8EU	Gauge:		Part Number & Part Revision <b>Ass--20010680 REV - A-013</b>
	WEIGHT: 11.69	Kg	SCALE:1:10 DO NOT SCALE DRAWING SHEET 2 OF 2