

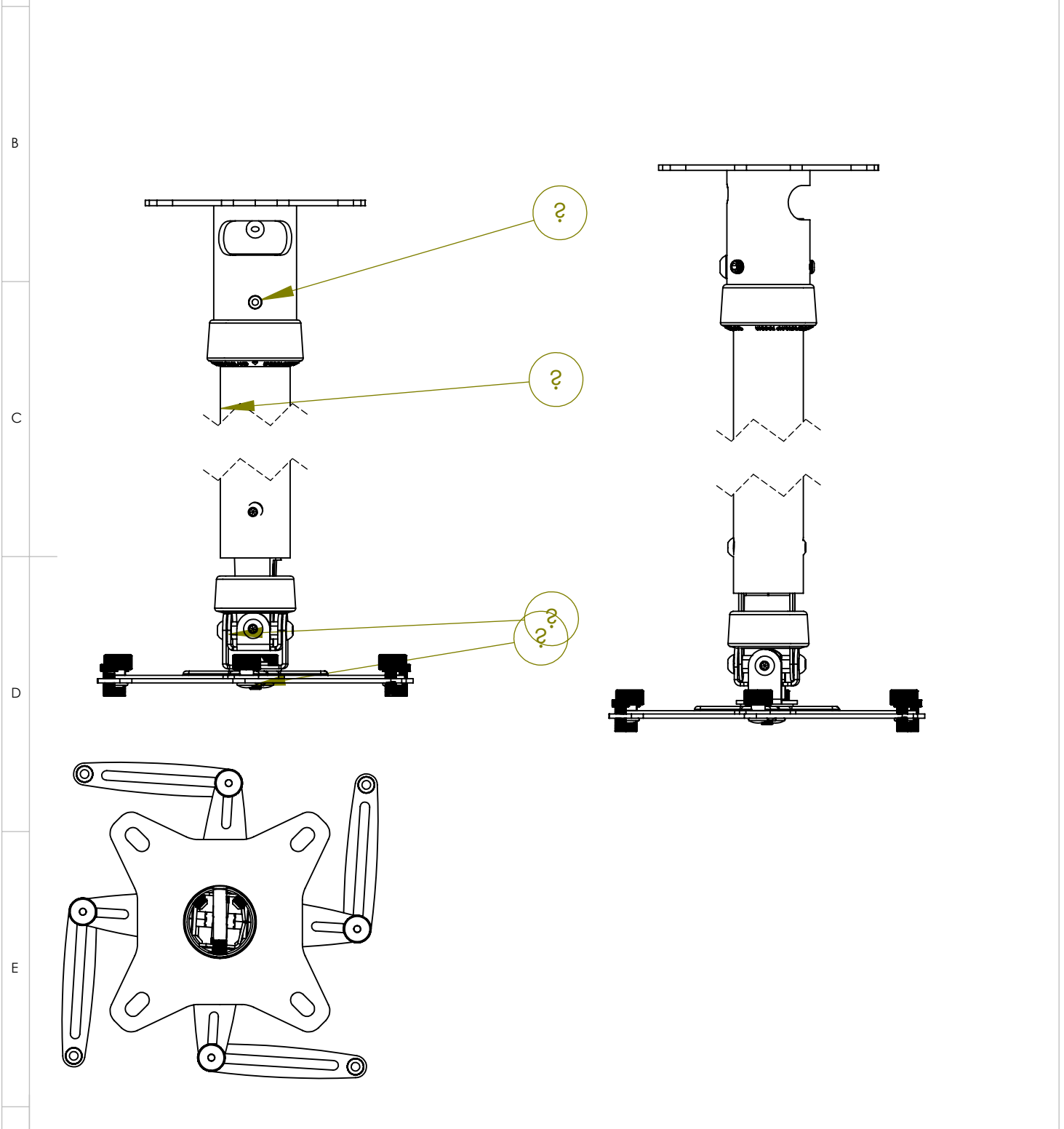
1

2

3

4

ITEM NO.	PART NUMBER	DESCRIPTION	QTY.
1	Ass--20001506	CP1 Ceiling Plate 16cm x 16cm	1
2	Ass--20002210	Universal Gyrolock Adapter Compact GKE	1
3	Ass--20003294	Column 3000 MSU-PSU Punch	1



Unicol Engineering Green Road Headington Oxford OX3 8EU		FINISH:	TITLE: GKE4 - 3000 - CP1 KPR130C	
REVISION	A-003	Drawn Date	Note	
Drawn By	Ricky Clark	25/05/07	MATERIAL:	DWG NO. Ass--20002582
UNLESS OTHERWISE SPECIFIED: DIMENSIONS ARE IN MILLIMETERS SURFACE FINISH: Powder Coated			SCALE:1:4	DO NOT SCALE DRAWING
				SHEET 1 OF 1

A4