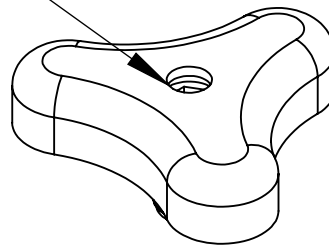
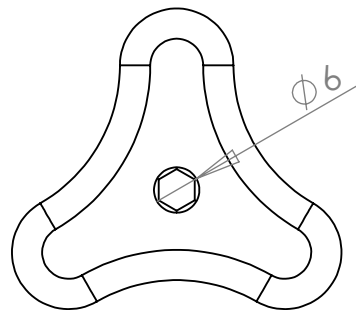
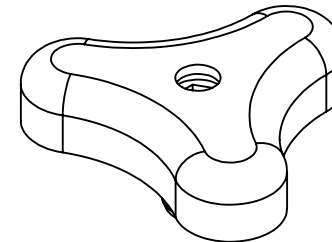


Puddle Weld



2



BOM Table			
NO	Part Number	Description	QTY.
1	Par--20004641	Punched Handwheel	1
2	SSS-IMP-3_4 BSFX3_8-HT-BO	Socket Set Screw 3/4 BSF X 3/8 (High Tensile Black Oxide)	1

Description		HW38F Unicol Standard Hand Wheel	
UNLESS OTHERWISE SPECIFIED: DIMENSIONS ARE IN MILLIMETERS	Created By Ricky Clark	Material:	DRW - REV REV - K-216
	Unicol Engineering Green Road Oxford OX3 8EU	Gauge:	
SURFACE FINISH: Powder Coated		See Below - Special Notes	
		Part Number & Part Revision Ass--20002480 REV - K-216	