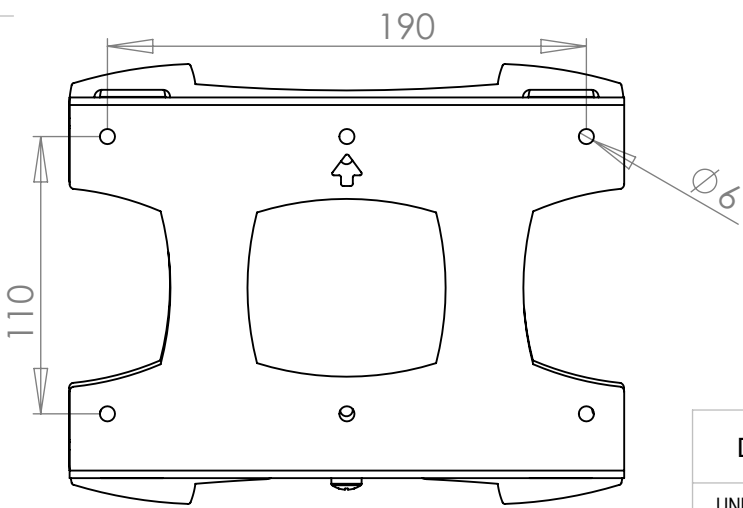


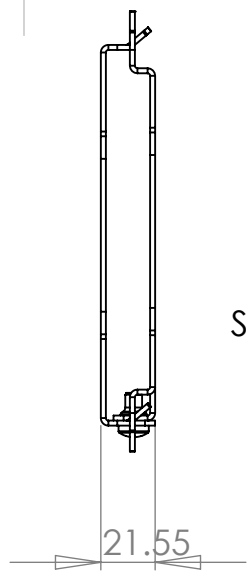
Front View



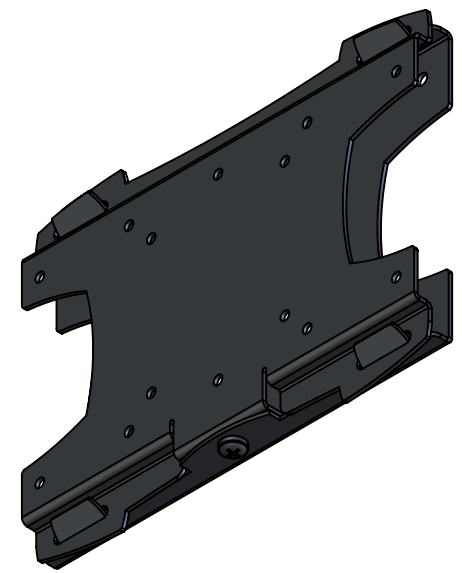
Bottom View



Rear View



Side View



Description		SVC1 Clip On Wall Mount Vesa 75X75 - 100X100 - 100 X 200		
UNLESS OTHERWISE SPECIFIED: DIMENSIONS ARE IN MILLIMETERS		Saved Date: 23 August 2021 Created Date: 23 August 2021 Bend Tool:	DRW - REV REV - A-012	See Below - Special Notes
SURFACE FINISH: Powder Coated		Material:		
Created By System Administrator Unicol Engineering Green Road Oxford OX3 8EU		Gauge:	Part Number & Part Revision Ass--20002076 REV - A-012	
		WEIGHT: 0.94	Kg	SCALE:1:3 DO NOT SCALE DRAWING SHEET 1 OF 1