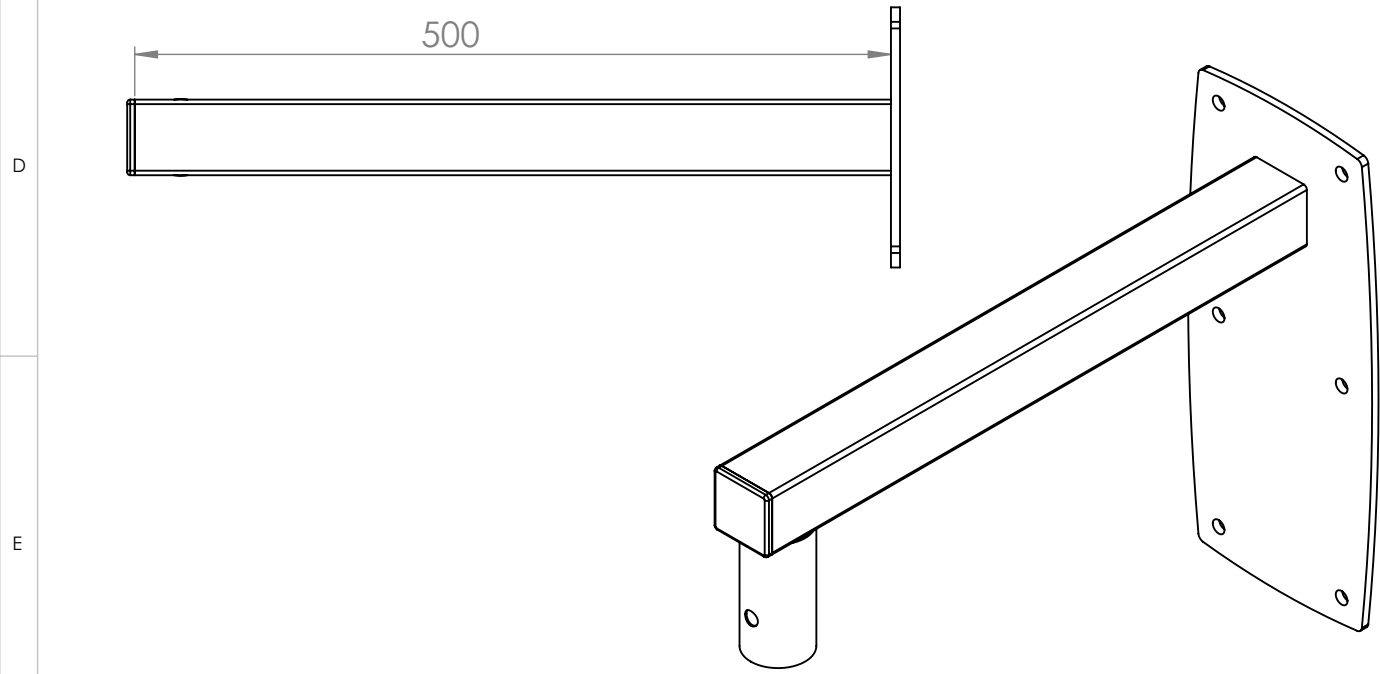
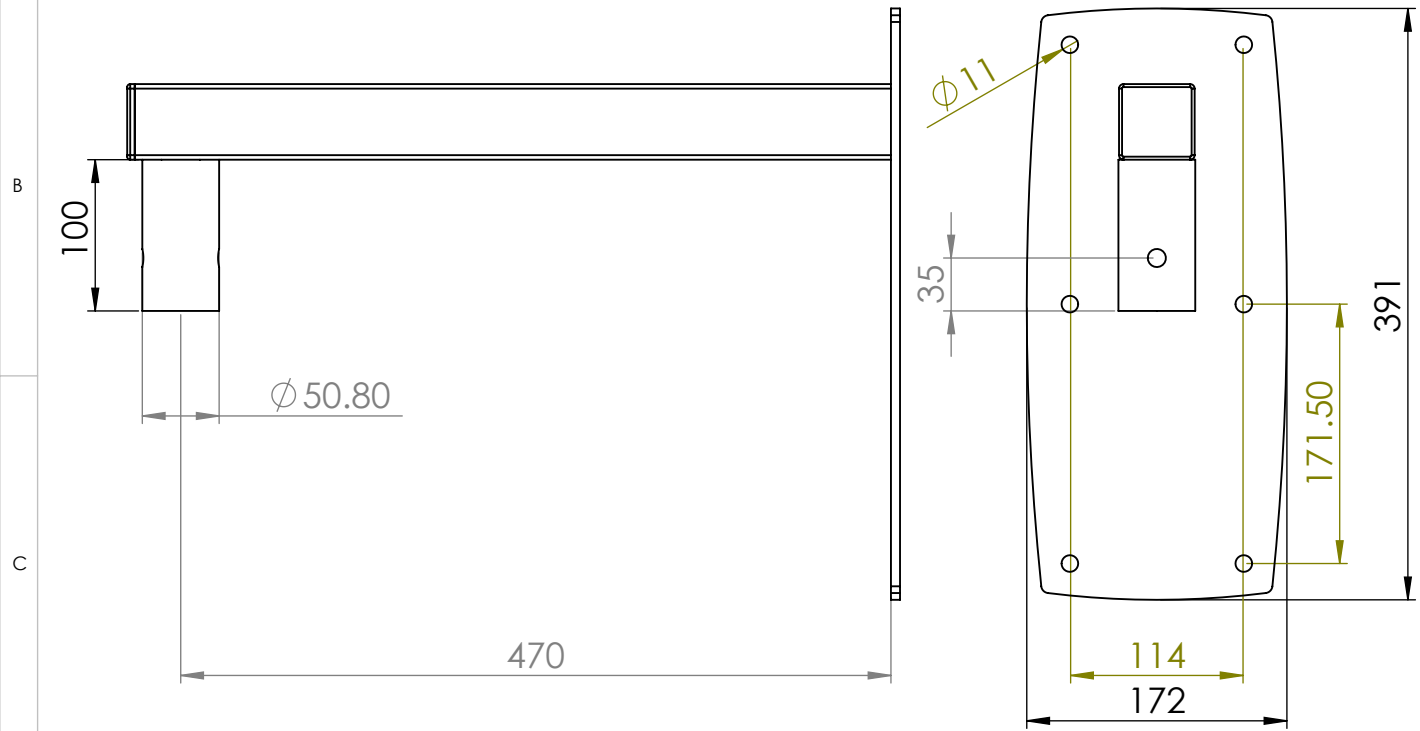


ITEM NO.	PART NUMBER	DESCRIPTION	QTY.
1	Par--20003504	WB Backplate WB1 - WB2 type	1
2	500 X 50 X 50	Variable WB Tube 50 x 50	1
3	Par--20001895	Peg for WB Arms	1
4	Par--20003189	50 X 50 Standard Bung	1



Unicol Engineering Green Road Headington Oxford OX3 8EU		FINISH:	TITLE: WB1 500mm With Peg	
REVISION	A-001	Drawn Date	Note	
Drawn By	Ricky Clark	12/04/07	MATERIAL:	DWG NO. <b>Ass--20001894</b>
UNLESS OTHERWISE SPECIFIED: DIMENSIONS ARE IN MILLIMETERS SURFACE FINISH: Powder Coated		WEIGHT: 5.025.02	SCALE:1:5	DO NOT SCALE DRAWING
				SHEET 1 OF 1

A4